



## Tire Changer & Wheel Balancer



# Tire Changer

## VT-190



## VT-220



## VT-230



## VT-240



## Product Features

- Available wide tires
- Swing arm
- Robust and stable turntable
- Integral bead cushioning rubber to protect wheel
- Powerful air bead breaker
- Equipped with a helper arm

## Technical Specifications

Description	Tire Changer			
Model	VT-190	VT-220	VT-230	VT-240
Clamping range	10"-23"	10"-23"	10-24"	10-24"
Max. Wheel diameter	1.000 mm(39")	1.000 mm(39")	1.000 mm(39")	1.200 mm(47")
Max. Wheel width	340 mm (13")	340 mm (13")	350 mm (14")	450 mm (17")
Bead breaker	3,000 kg	3,000 kg	3,000 kg	3,000 kg
Air pressure	10 bar (140psi)	10 bar (140psi)	10 bar (140psi)	10 bar (140psi)
Power	220V/380V	220V/380V	220V/380V	220V/380V
Motor power	0.55kw/0.75kw	0.55kw/0.75kw	0.8kw/1.1kw	0.8kw/1.1kw
Max. spindle capacity	1,200 Nm	1,200 Nm	1,200 Nm	1,200 Nm
Dimensions	930x1100x1720 mm	1230x1100x1850mm	1150x1280x1970 mm	1850x1280x1970 mm
Weight	213 kg	233kg	280kg	350kg

Technical specifications are subject to changes without notice.



Made in Korea

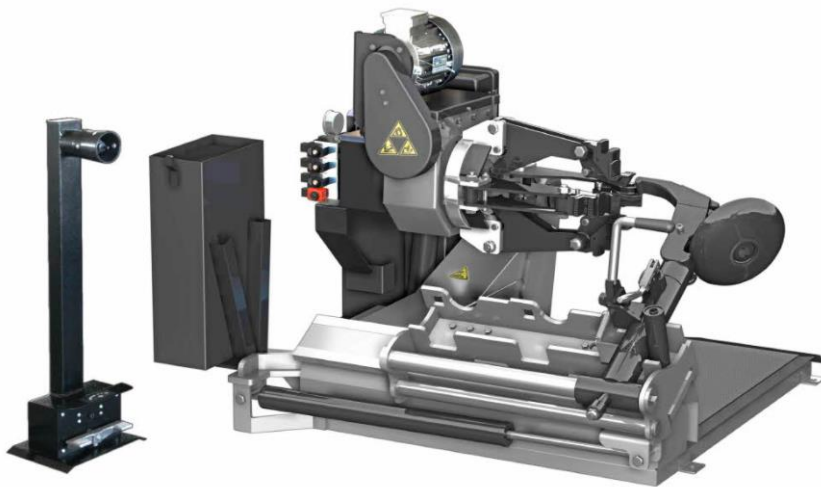
**VISKOR CO., LTD.**

Address: #617, 1142, BEOMAN-RO, GEUMCHEON-GU, SEOUL, 08595, KOREA

T. +82 2 6959 0634 F. +82 2 6959 0635 E-mail: viskor@viskorea.com [www.viskorea.com](http://www.viskorea.com)

# Truck Tire Changer

## VT-327



## Product Features

- Universal tire changer suitable for 13"-27" truck and heavy duty rims
- Can work on both tube and tubeless tires
- Convenience of operation with the use of a movable controller and a tool holder
- It is safe and convenient to use with strong force by installing a high-strength tool disk
- 5-level rim lock position and 2-speed hydraulic chuck

## Technical Specifications

Description	
Model	VT-327
Clamping range	13"-27"
Max Wheel diameter	1,600 mm(63")
Max Wheel width	780 mm (30.5")
Max Wheel weight	1,500kg
Working pressure	0-130bar
Power	380V 3PH
Motor power	1.3kw / 1.8kw
Bead breaker	1,865kg
Dimensions	1,500(L)x1,600(W)x1,050(H) mm
Weight	630 kg

Technical specifications are subject to changes without notice.



Made in Korea

**VISKOR CO., LTD.**

Address: #617, 1142, BEOMAN-RO, GEUMCHEON-GU, SEOUL, 08595, KOREA

T. +82 2 6959 0634 F. +82 2 6959 0635 E-mail: viskor@viskorea.com [www.viskorea.com](http://www.viskorea.com)

# Truck Tire Changer

## VT-356



## Product Features

- Universal tire changer suitable for 14"-56" truck and heavy duty rims
- Can work on both tube and tubeless tires
- Convenience of operation with the use of a movable controller and a tool holder
- It is safe and convenient to use with strong force by installing a high-strength tool disk
- 5-level rim lock position and 2-speed hydraulic chuck

## Technical Specifications

Description	
<b>Model</b>	<b>VT-356</b>
Clamping range	14"-56"
Max Wheel diameter	2,300 mm(63")
Max Wheel width	1,065 mm (42")
Max Wheel weight	1,500kg
Working pressure	0-130bar
Power	380V 3PH
Motor power	1.3kw / 1.1kw
Bead breaker	2,690kg
Dimensions	2,020(L)x1,700(W)x1,020(H) mm
Weight	816 kg

Technical specifications are subject to changes without notice.



Made in Korea

**VISKOR CO., LTD.**

Address: #617, 1142, BEOMAN-RO, GEUMCHEON-GU, SEOUL, 08595, KOREA

T. +82 2 6959 0634 F. +82 2 6959 0635 E-mail: viskor@viskorea.com [www.viskorea.com](http://www.viskorea.com)



# Wheel Balancer

## VB-920



## VB-940



## VB-960



3D LCD Monitor

## Product Features

- |   |   |   |
|---|---|---|
| <ul style="list-style-type: none"> <li>• Split weight function for aluminum wheels</li> <li>• High quality LED display</li> <li>• One touch quick clamping nut</li> <li>• Rim distance gauge</li> <li>• Precise shaft</li> <li>• Wheel cover</li> </ul> | <ul style="list-style-type: none"> <li>• Split weight function for aluminum wheels</li> <li>• Automatic measurement of wheel distance and diameter</li> <li>• High quality LED display</li> <li>• One touch quick clamping nut</li> <li>• Rim distance gauge</li> <li>• Precise shaft</li> <li>• Wheel cover</li> </ul> | <ul style="list-style-type: none"> <li>• Split weight function for aluminum wheels</li> <li>• Laser pointer indicating weight correcting position</li> <li>• LCD monitor</li> <li>• Automatic rim distance, width and diameter measuring gauge</li> <li>• Precision shaft</li> <li>• Wheel cover</li> <li>• LED Lighting</li> </ul> |
|---|---|---|

## Technical Specifications

Description	Wheel Balancer		
Model	VB-920	VB-940	VB-960
Max. Wheel diameter	1,000mm	1,000mm	900mm
Rim diameter	10"-32"	10"-32"	10"-28"
Wheel width	1.5"-20"	1.5"-20"	1.5"-20"
Measuring time	7 sec	7 sec	7 sec
Rotation speed	150 rpm	150 rpm	150 rpm
Measurement unit	1g	1g	1g
Dimensions	970x760x1,120mm	970x760x1,120mm	970x760x1,120mm
Weight	150kg	160kg	180kg

Technical specifications are subject to changes without notice.



Made in Korea

**VISKOR CO., LTD.**

Address: #617, 1142, BEOMAN-RO, GEUMCHEON-GU, SEOUL, 08595, KOREA

T. +82 2 6959 0634 F. +82 2 6959 0635 E-mail: viskor@viskorea.com [www.viskorea.com](http://www.viskorea.com)

# Truck Wheel Balancer

## VB-980



## Product Features

- Tire lift installed
- Suitable for wheels of medium and large vehicles and wheels for trucks
- Automatic stop after wheel rotation measurement
- Automatically start/stop wheel measurement rotation when the hood cover is lowered or raised
- Stop button to stop the operation of the device with the stop button
- 4 ALU balancing selectable functions
- Optimization of imbalance (OPT)
- Self-diagnosis / self-measurement
- Excellent stability for reading imbalances between horizontal planes
- Display in grams/ounce of weight and mm/inch of distance
- Wheel lift for easy movement and removal of wheels
- Precise measurement without holding the instrument on a flat floor

## Technical Specifications

Description	Truck Wheel Balancer
<b>Model</b>	<b>VB-980</b>
Power / Motor	220V 1PH / 250W
Diameter of shaft	40mm
Max wheel weight	200kg
Rim diameter	10" – 32"
Wheel diameter	1,200mm
Wheel width	1.5" ~ 20"
Measurement Time	15 sec
Rotation speed	90 rpm
Measurement unit	10g
Dimensions	1,145(L)x835(W)x1,140(H)
Weight	280kg

Technical specifications are subject to changes without notice.



Made in Korea

**VISKOR CO., LTD.**

Address: #617, 1142, BEOMAN-RO, GEUMCHEON-GU, SEOUL, 08595, KOREA

T. +82 2 6959 0634 F. +82 2 6959 0635 E-mail: viskor@viskorea.com [www.viskorea.com](http://www.viskorea.com)